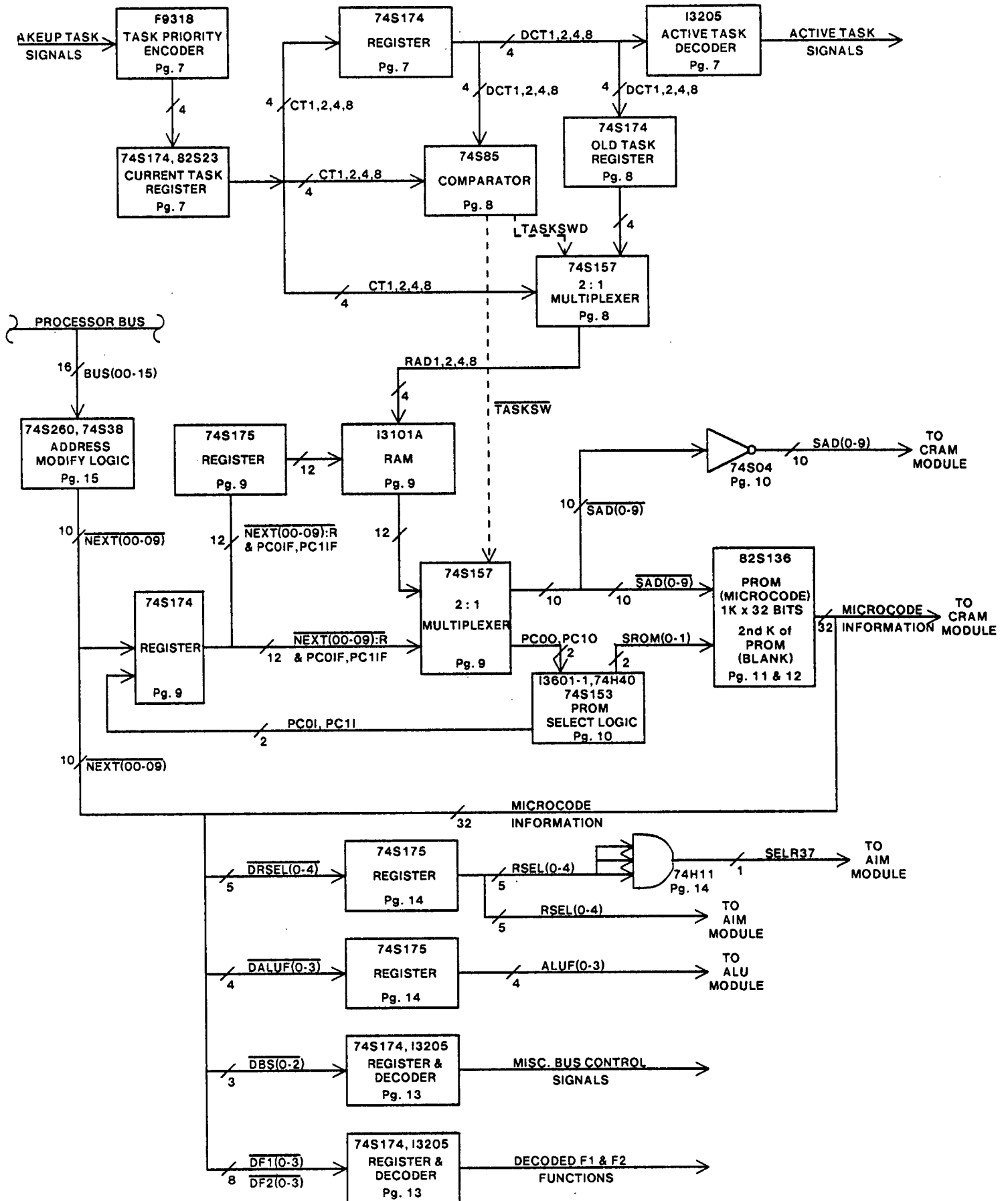
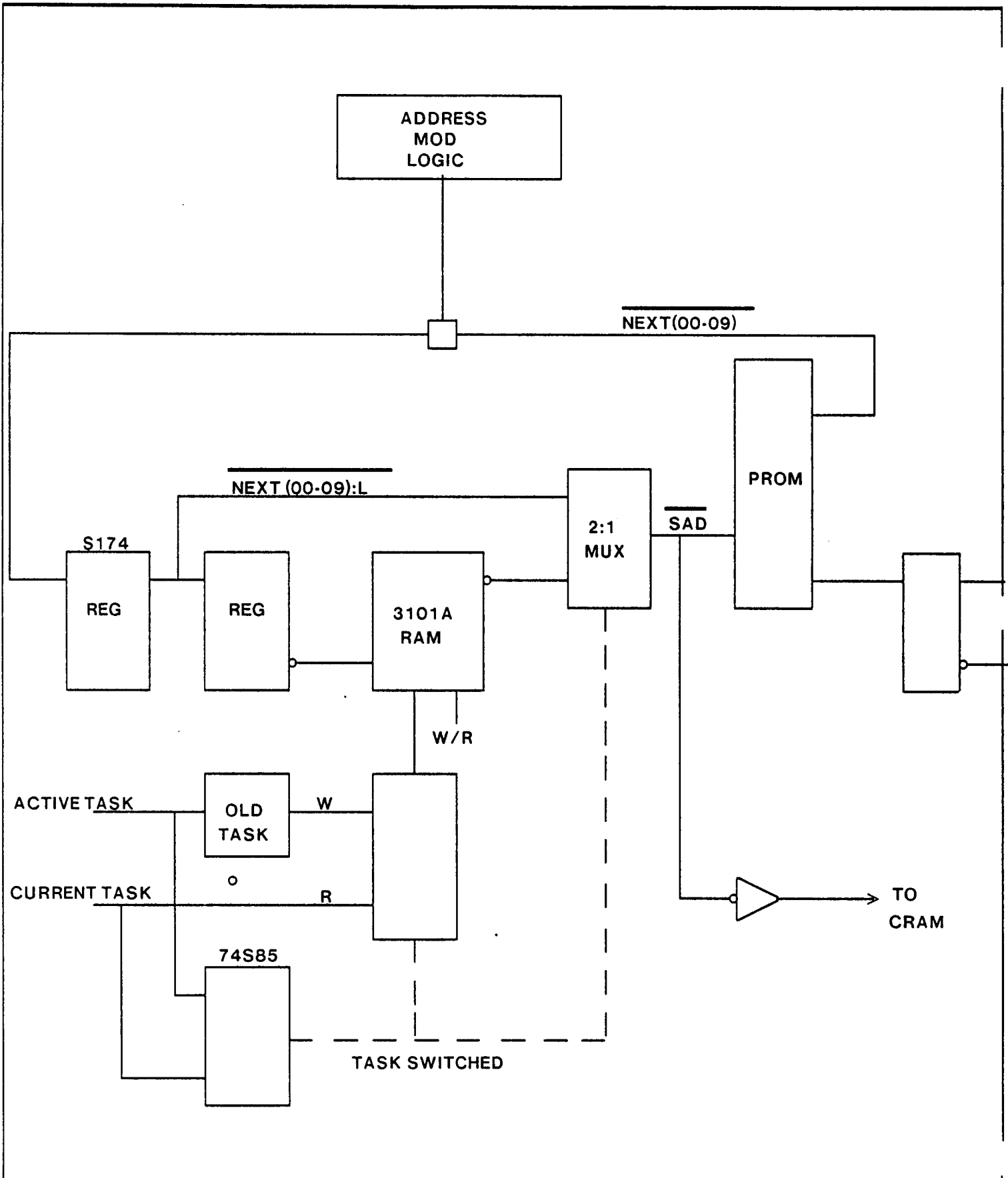


EXTENDED MEMORY 3K CONTROL MODULE





PROPRIETARY NOTE ON SHEET 1 APPLIES TO ALL SHEETS

FILE: 3KCONTR.SIL-1

TITLE
ASSEMBLY, P.W.
3K CONTROL MODULE
(EXTNM)

DWG.
 SIZE
A4

DWG. NO.
218094

SHEET 20F 15

SHEET REV.
B

NOTE: UNLESS OTHERWISE SPECIFIED.

1. ASSEMBLE PER ALTO II MODULE ASSY. SPEC. DWG NO. 216207

2

PROGRAMMING THE PROMS:

- A. PROGRAM THE PROMS BEFORE IT IS INSERTED INTO THE MODULE.
- B. LABEL EACH PROM AS DEFINED AS SHOWN BELOW USING A VERY SELF-ADHESIVE (1/16X1/2) LABEL. STICK THE LABEL ON THE TOP OF THE PROM(IC).
- C. PROGRAM THE FOLLOWING PROMS:

PROM LABEL	LOCATION	FILE NAME	FILE LOCATION
0/S	U55	DOALTOIIM.CM	[ISIS]<SPGDOCS>PROMS>3KCONTR.DM
4/S	U64	DOALTOIIM.CM	[ISIS]<SPGDOCS>PROMS>3KCONTR.DM
8/S	U65	DOALTOIIM.CM	[ISIS]<SPGDOCS>PROMS>3KCONTR.DM
12/S	U63	DOALTOIIM.CM	[ISIS]<SPGDOCS>PROMS>3KCONTR.DM
16/S	U53	DOALTOIIM.CM	[ISIS]<SPGDOCS>PROMS>3KCONTR.DM
20/S	U60	DOALTOIIM.CM	[ISIS]<SPGDOCS>PROMS>3KCONTR.DM
24/S	U61	DOALTOIIM.CM	[ISIS]<SPGDOCS>PROMS>3KCONTR.DM
28/S	U62	DOALTOIIM.CM	[ISIS]<SPGDOCS>PROMS>3KCONTR.DM
CTR	U51	CTR.MB	[ISIS]<SPGDOCS>PROMS>3KCONTR.DM
C03	U3	C03A.MB	[ISIS]<SPGDOCS>PROMS>3KCONTR.DM
3KSW	U38	SWMODE3K.MB	[ISIS]<SPGDOCS>PROMS>3KCONTR.DM

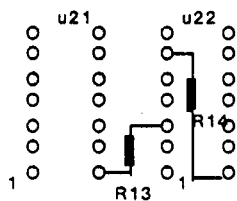
* @DOALTOIIM.CMS A COMMAND FILE WHICH IS USED WITH THE PNEW.RUN AND ALTOICODE3XM.MB PROGRAM. IT IDENTIFIES THE PROM TYPE AUTOMATICALLY AND LOADS THE PROMS 0/S THRU 28/S SEQUENTIALLY. THE PROGRAM WILL LOAD 0/S FIRST THAN 4/S,8/S AND 28/S.

- D. ADDITIONAL PROGRAM REQUIREMENT:
 - a. PNEW.RUN.....<ISIS>SPGDOCS>PNEW.RUN
 - b. ALTOICODE3XM.MB.....FILE LOCATION [ISIS]<ALTO>ALTOICODE3XM.MB
- E. HARD WARE REQUIREMENTS:
 - a. PROLOG PROGRAMMER.....<ISIS>SPGDOCS>PROLOG.PRESS
 - b. 82S23, 82126, AND 82S136 PERSONALITY CARD.

3

REWORK INSTRUCTIONS FOR REVISION A BOARD ONLY.

- A. ADD RESISTOR R12, 330 OHMS 1/4W .
- B. ADD RESISTOR R13 (330 OHMS 1/4W) ACROSS U22-14 TO U22-6 CIRCUIT SIDE
- C. ADD RESISTOR R14 (220 OHMS 1/4W) ACROSS U22-3 TO U21-14. CIRCUIT SIDE

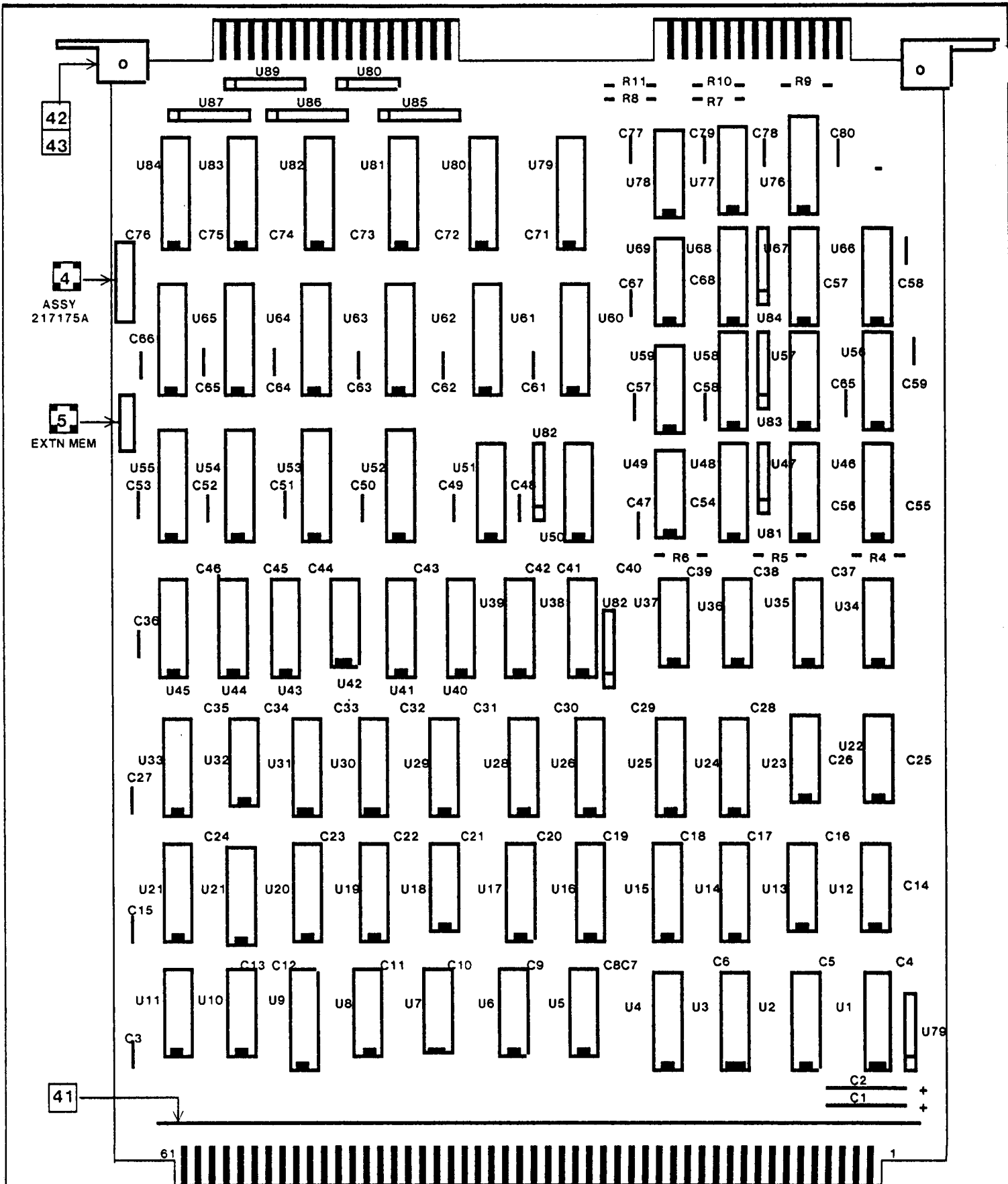


CIRCUIT SIDE

PROPRIETARY NOTE ON SHEET 1 APPLIES TO ALL SHEETS

FILE: 3KCONTR.SIL-10

TITLE	ASSEMBLY, P.W. 3K CONTROL MODULE	DWG. SIZE	DWG. NO.	SHEET REV.
		A4	218094	
		SHEET 3 OF	15	B



PROPRIETARY NOTE ON SHEET 1 APPLIES TO ALL SHEETS

FILE: 3KCONTR.SIL-11

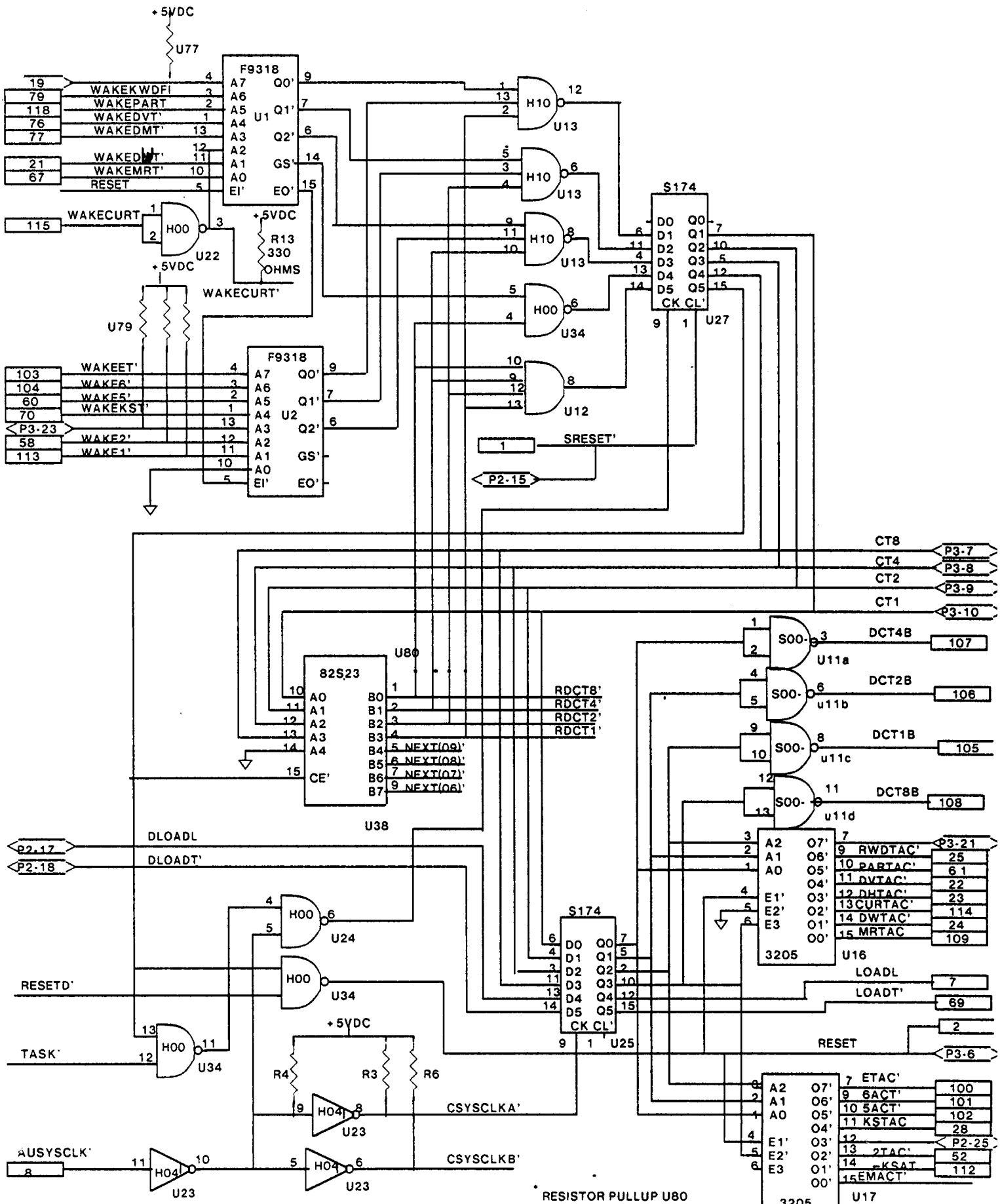
TITLE
ASSEMBLY, P.W.
3K CONTROL MODULE

DWG. SIZE
A4

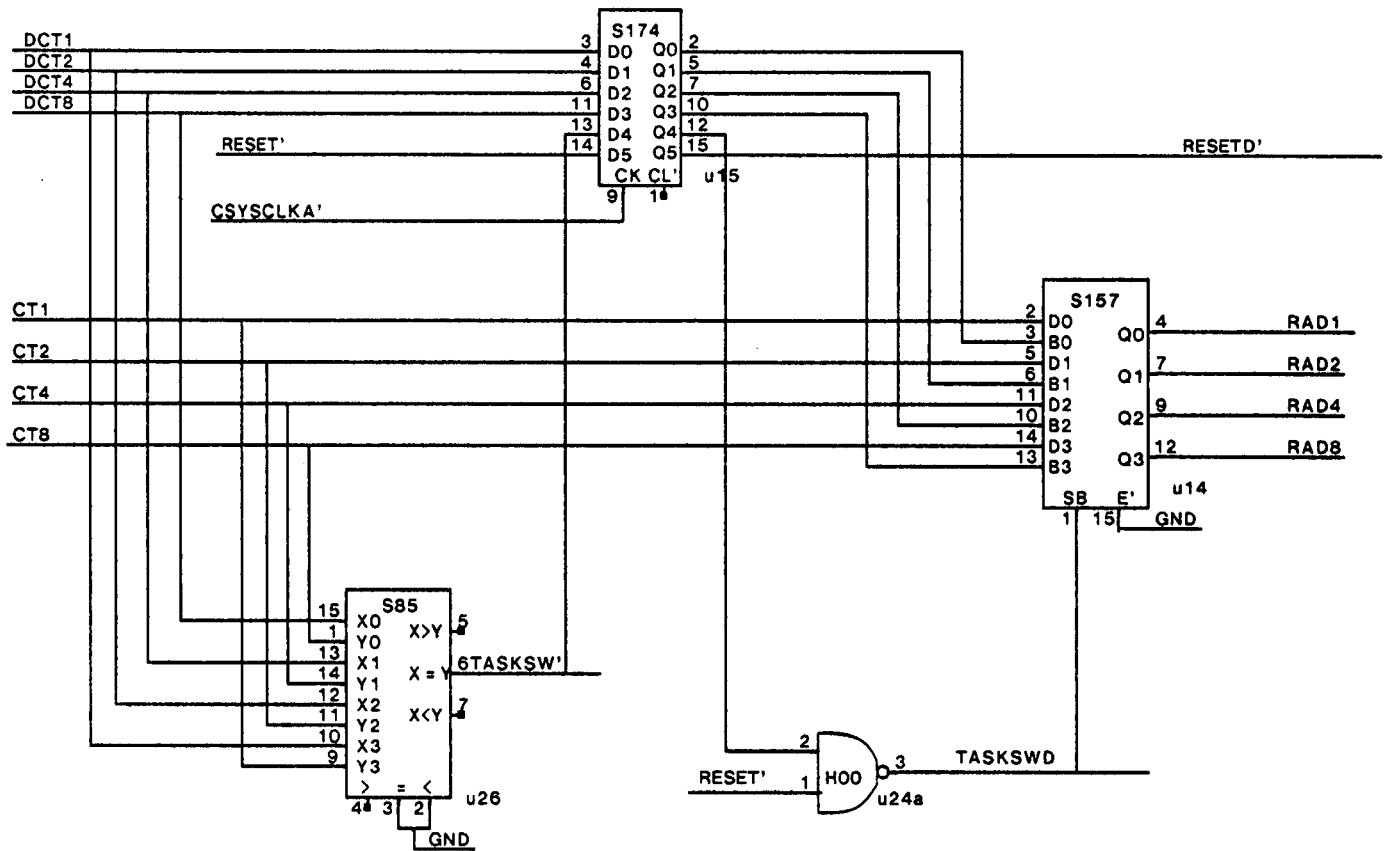
DWG. NO.
218094

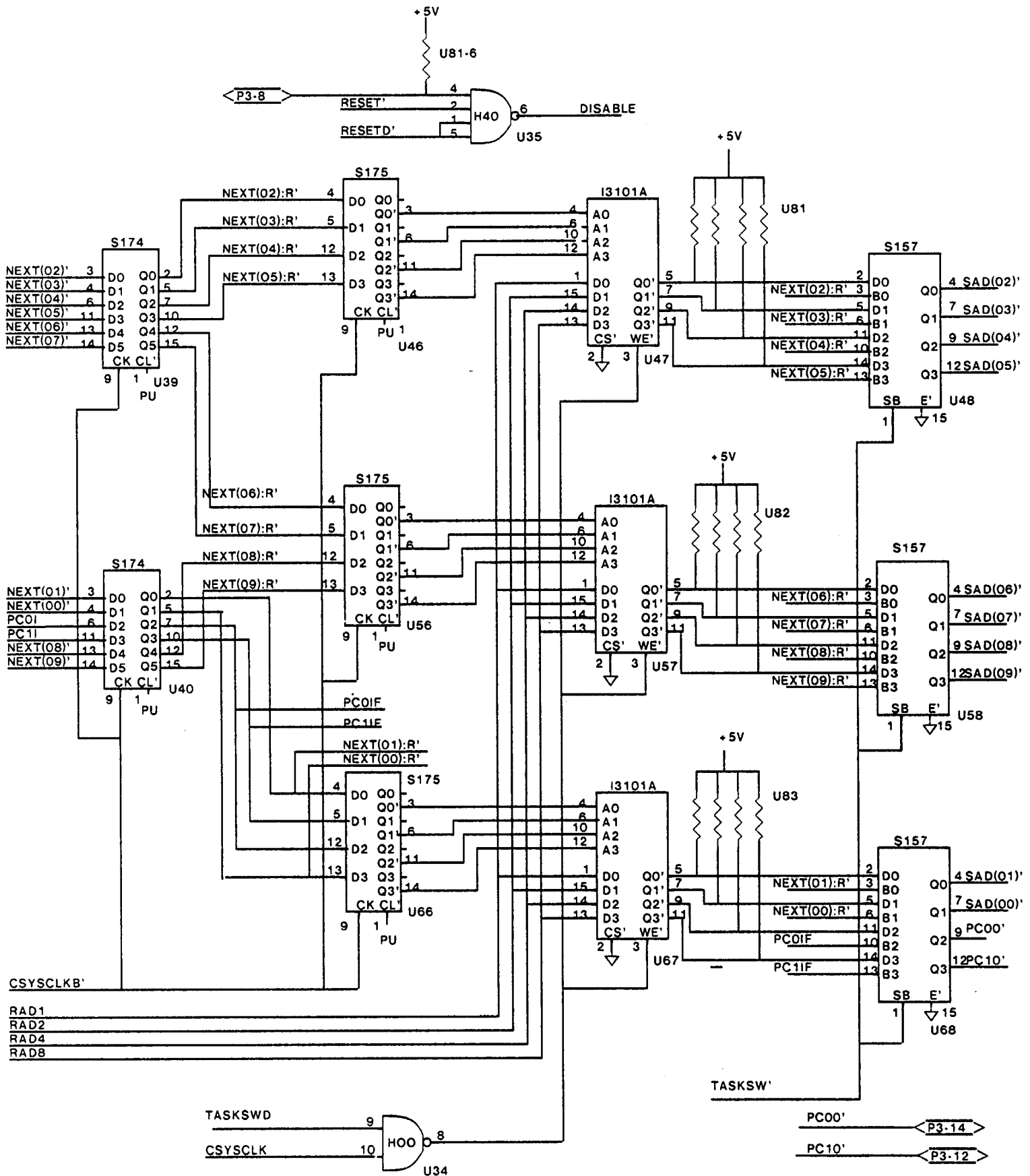
SHEET **4** OF **15**

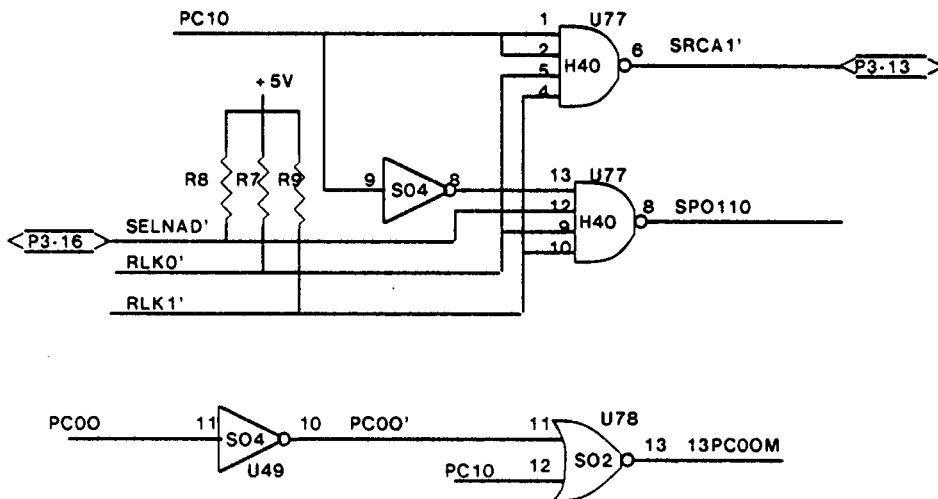
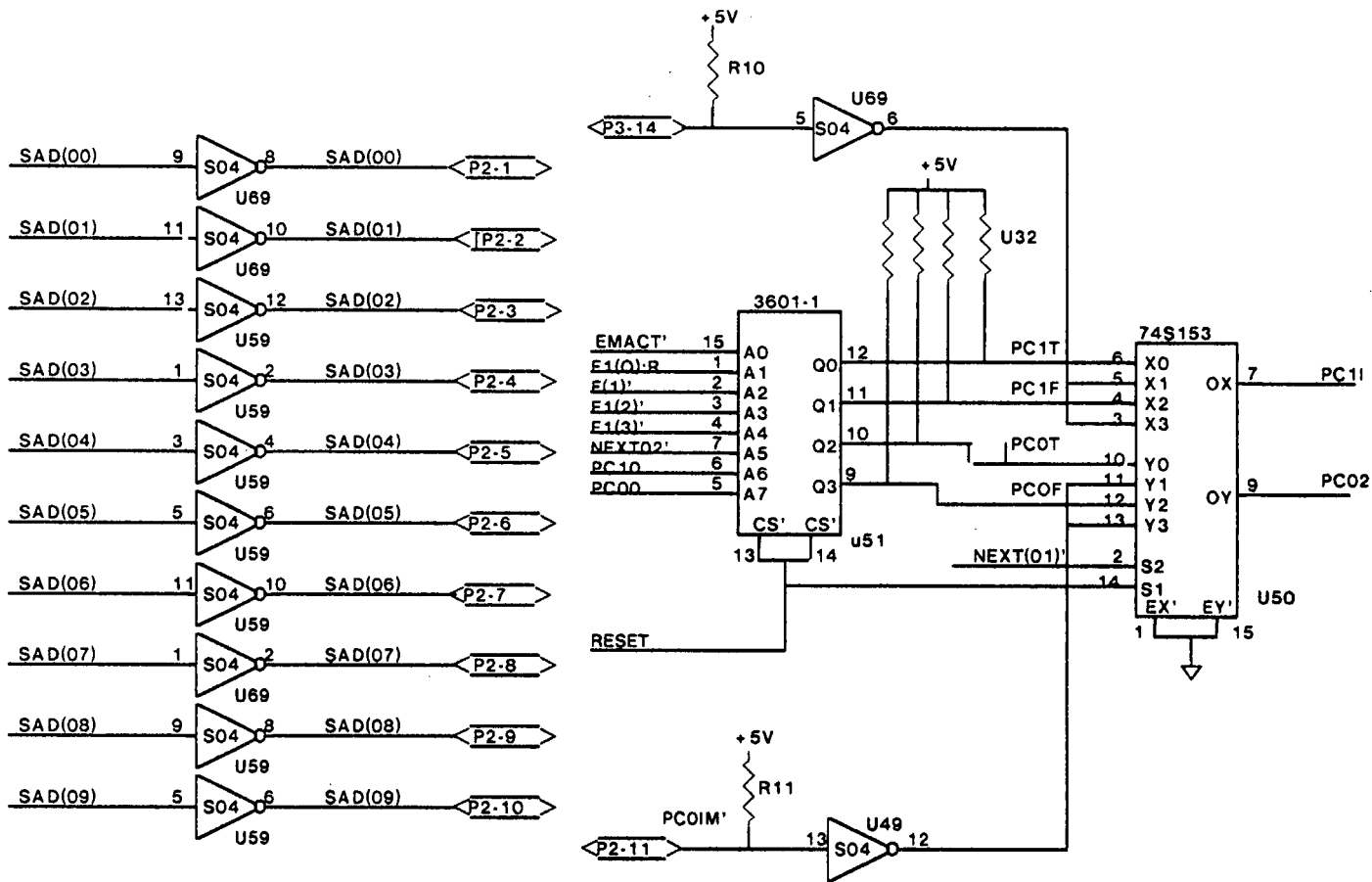
SHEET REV.
B

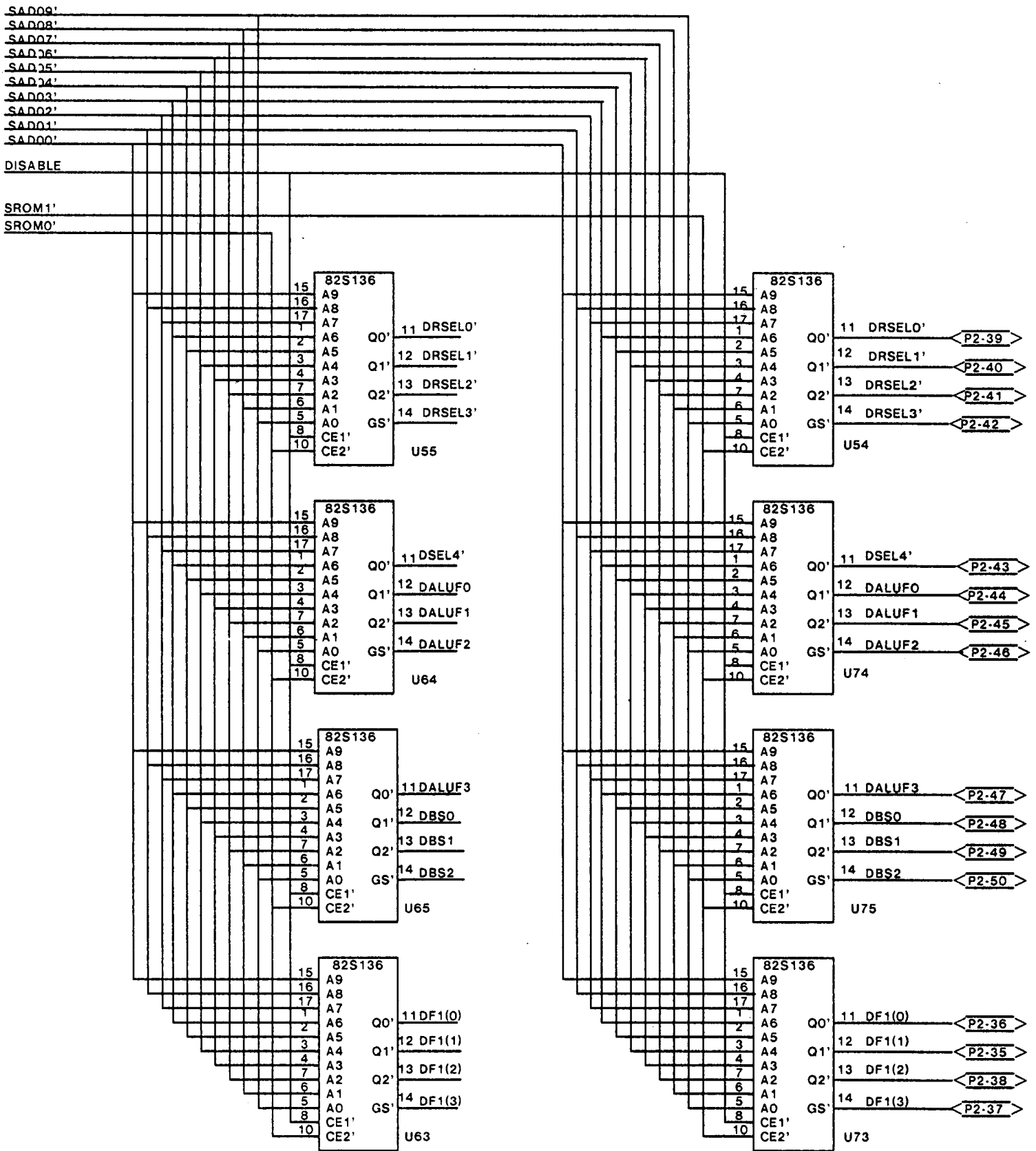


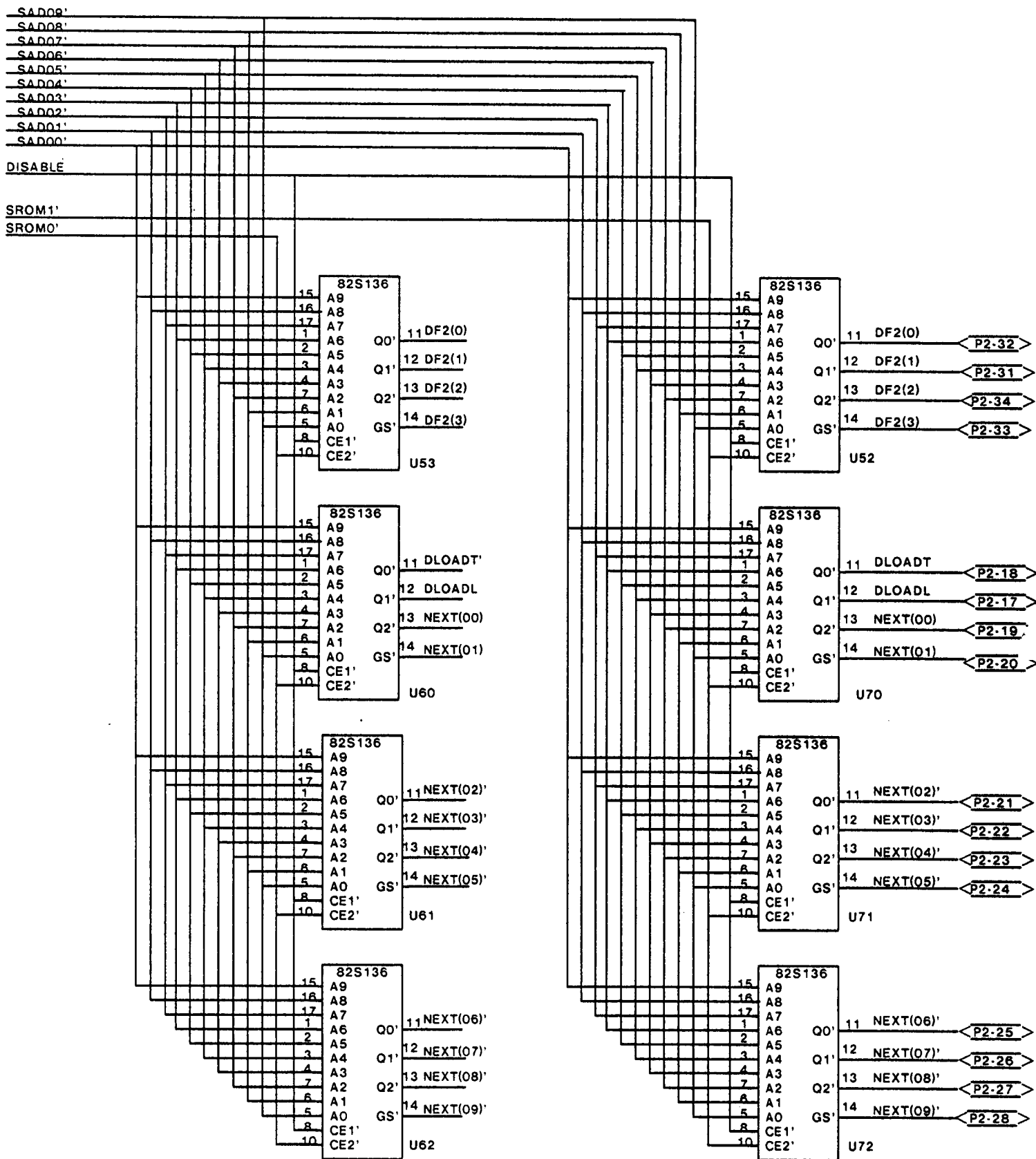
XEROX	Project	ASSEMBLY, P.W.	File	Designer	Rev	Date	Page
ED	ALTOII	CONTROL BOARD (3K)	3KCONTR.SIL-9	FREEMAN	B	10/10/80	7

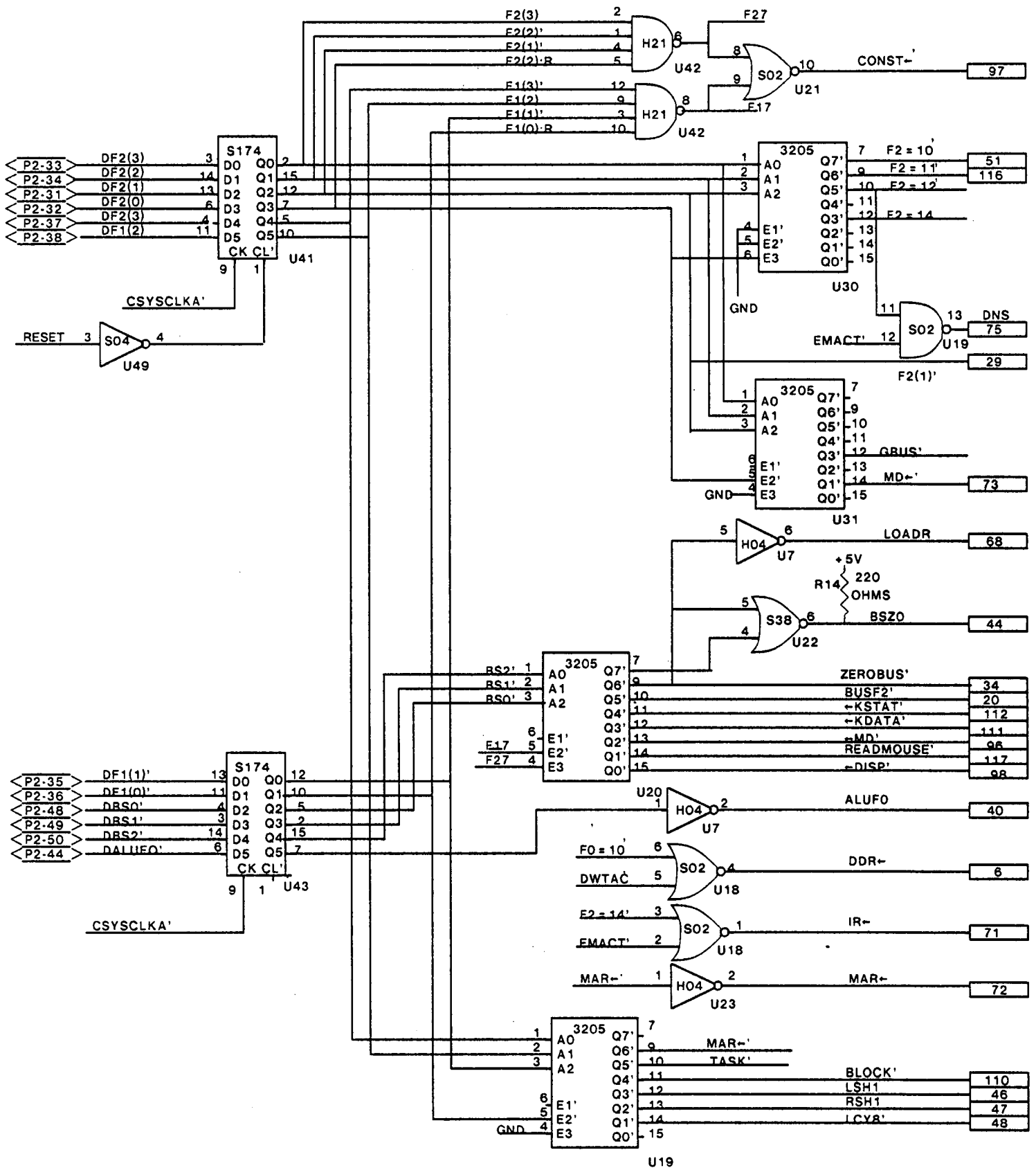


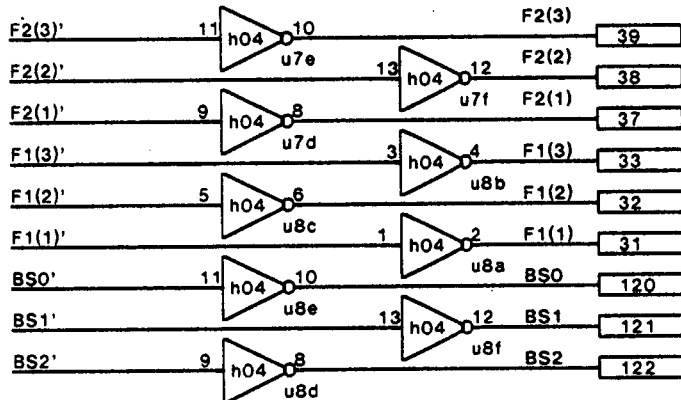
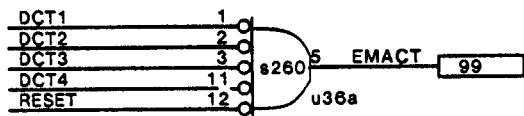
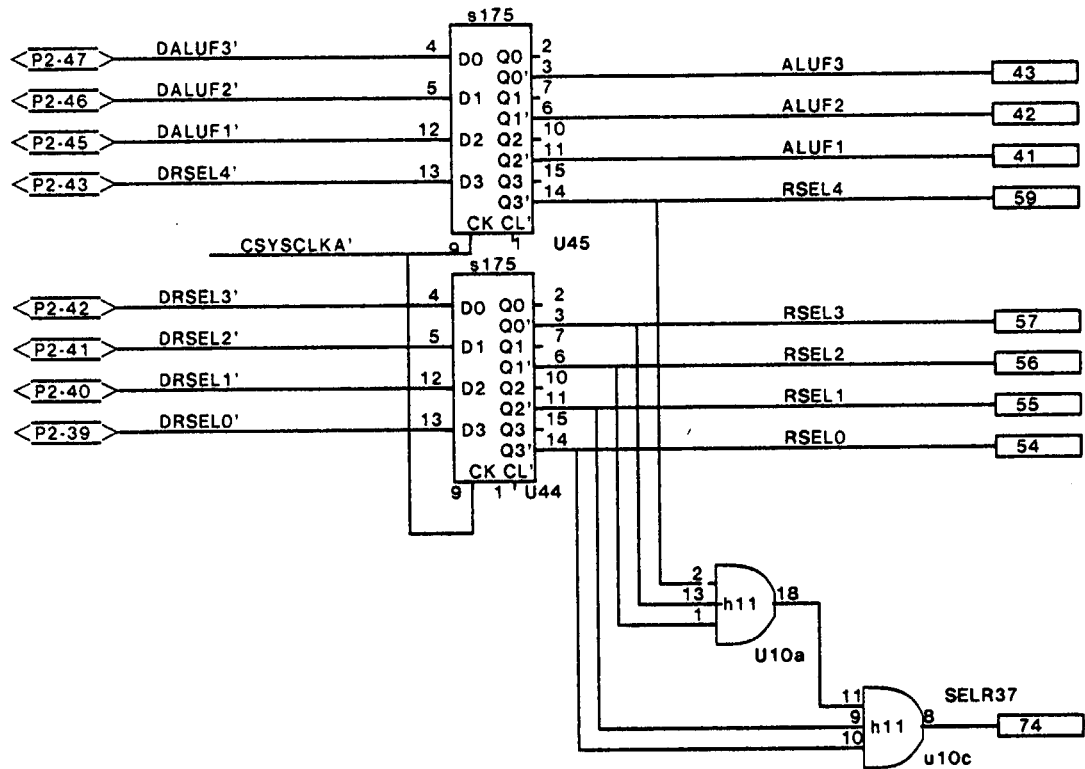


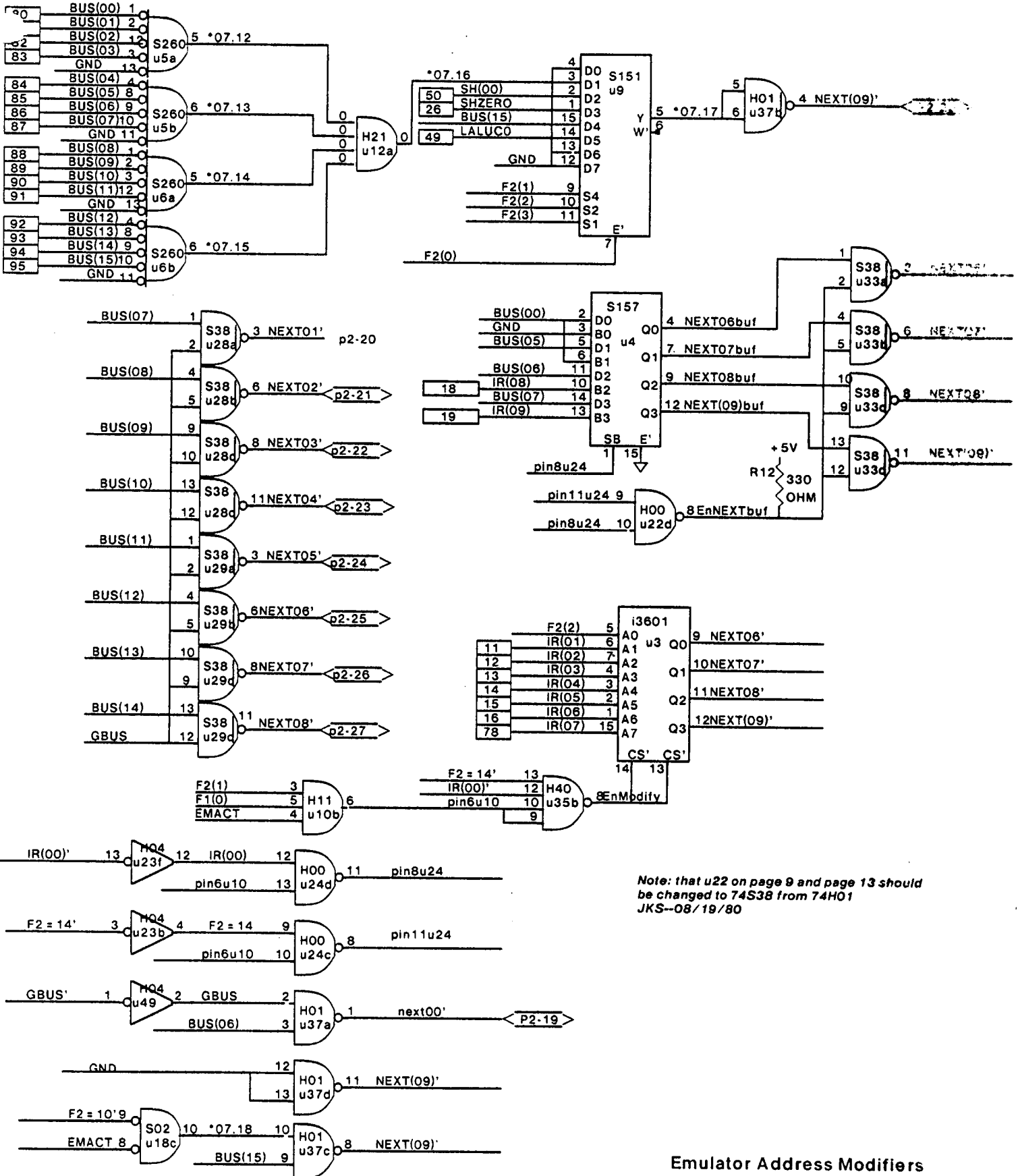












Note: that u22 on page 9 and page 13 should be changed to 74S38 from 74H01
JKS--08/19/80

Emulator Address Modifiers